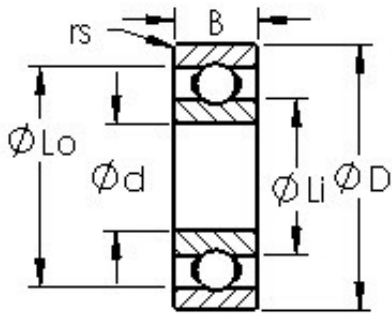




Shandong Chik Bearing Co., Ltd.



AST R18 deep groove ball bearings

Bearing No. R18

Bore Diameter	28,575 mm
Outer Diameter	53,975 mm
Width	9,525 mm
Bearing Type	Open
Bore Dia (d)	1.1250
Outer Dia (D)	2.1250
Width (B)	0.3750
Radius (min) (rs)	0.031
Dynamic Load Rating (Cr)	3,492
Static Load Rating (Cor)	1,817
Ball Qty	11
Ball Dia (Dw)	0.2813
Weight (g)	91.00
Precision	A1
Standard Clearance	C0
Material	52100 Chrome steel (or equivalent)

R18 Bearing 2D drawings and 3D CAD models