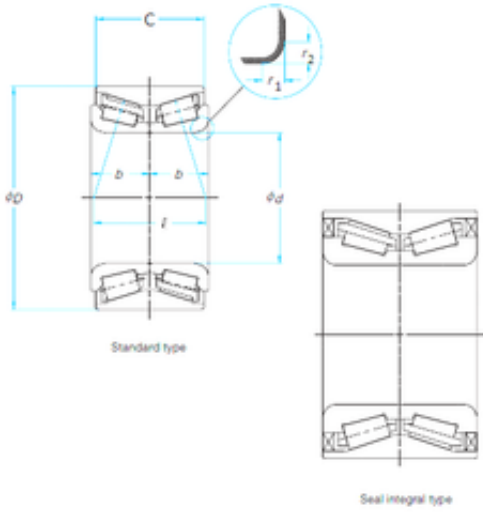




# Shandong Chik Bearing Co., Ltd.



32 mm x 58 mm x 65 mm 32 mm x 58 mm x 65 mm FAG RW956 thrust roller bearings

Bearing No. RW956

Size	32x58x65 mm
Bore Diameter	32 mm
Outer Diameter	58 mm
Width	65 mm
d	32 mm
D	58 mm
B	65 mm
C	57 mm

RW956 Bearing 2D drawings and 3D CAD models