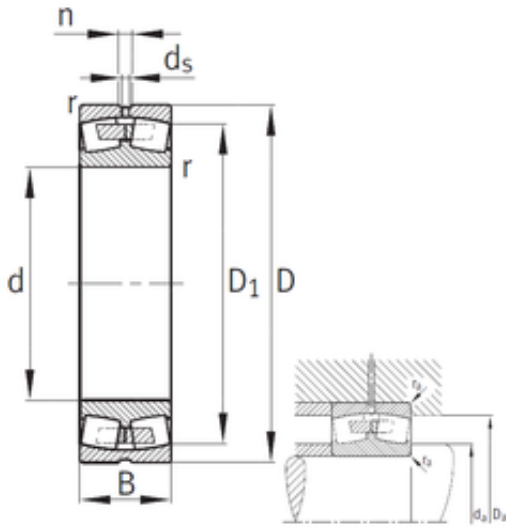




Shandong Chik Bearing Co., Ltd.



220 mm x 460 mm x 145 mm 220 mm x 460 mm
x 145 mm FAG 22344-MB spherical roller bearings

Bearing No. 22344-MB

22344-MB Bearing 2D drawings and 3D CAD models

Size	220x460x145 mm
Bore Diameter	220 mm
Outer Diameter	460 mm
Width	145 mm
d	220 mm
D	460 mm
B	145 mm
C	145 mm
n	23,5 mm
r min.	5 mm
D1	391,2 mm
da min.	240 mm
Da max.	440 mm
ra max.	4 mm
d5	12,5 r/min
Weight	119 Kg
Basic dynamic load rating (C)	2320 kN
Basic static load rating (C0)	3350 kN
Fatigue load limit (Pu)	217
Reference speed	970 r/min
Limiting speed	1 300 r/min
Calculation factor (e)	0,35
Calculation factor (Y0)	1,91
Calculation factor (Y1)	1,95