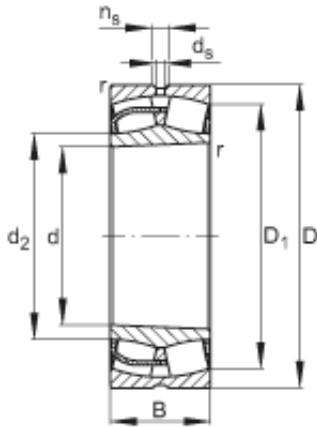




## Shandong Chik Bearing Co., Ltd.



360 mm x 600 mm x 243 mm 360 mm x 600 mm  
x 243 mm FAG 24172-E1-K30 spherical roller  
bearings

Bearing No. 24172-E1-K30

24172-E1-K30 Bearing 2D drawings and 3D CAD  
models

Size	360x600x243 mm
Bore Diameter	360 mm
Outer Diameter	600 mm
Width	243 mm
d	360 mm
D	600 mm
B	243 mm
D <sub>1</sub>	505,9 mm
D <sub>a max</sub>	580 mm
d <sub>2</sub>	399,4 mm
d <sub>a min</sub>	380 mm
d <sub>s</sub>	9,5 mm
n <sub>s</sub>	17,7 mm
r <sub>a max</sub>	4 mm
r <sub>min</sub>	5 mm
m	272 kg / Weight
C <sub>r</sub>	5600000 N / Dynamic load rating (radial)
e	0,4
Y <sub>1</sub>	1,69
Y <sub>2</sub>	2,52
C <sub>0r</sub>	9100000 N / Static load rating (radial)
Y <sub>0</sub>	1,65



## Shandong Chik Bearing Co., Ltd.

$n_G$	890 1/min / Limiting speed
$n_B$	350 1/min
$C_{ur}$	670000 N / Fatigue limit load, radial