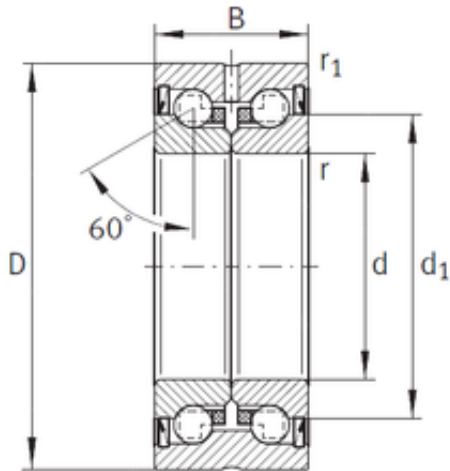




Shandong Chik Bearing Co., Ltd.



60 mm x 110 mm x 45 mm 60 mm x 110 mm x 45 mm INA ZKLN60110-2Z thrust ball bearings

Bearing No. ZKLN60110-2Z

ZKLN60110-2Z Bearing 2D drawings and 3D CAD models

Size	60x110x45 mm
Bore Diameter	60 mm
Outer Diameter	110 mm
Width	45 mm
d	60 mm
D	110 mm
B	45 mm
C	45 mm
Angle (?)	60 °
d1	85 mm
r min.	0,6 mm
r1 min.	0,6 mm
Weight	2,2 Kg
Basic dynamic load rating (C)	84 000 kN
Basic static load rating (C0)	214 000 kN
Category	Angular Contact Ball Bearings
Inventory	0.0
Manufacturer Name	SCHAEFFLER GROUP
Minimum Buy Quantity	N/A
Weight / Kilogram	2.155
EAN	4012802445237
Product Group	B00152
Enclosure	2 Metal Shields
Flush Ground	No



Shandong Chik Bearing Co., Ltd.

Rolling Element	Ball Bearing
Number of Rows of Balls	Double Row
Precision Class	ABEC 1 ISO P0
Maximum Capacity / Filling Slot	No
Snap Ring	No
Cage Material	Plastic
Contact Angle	60 Degree
Internal Clearance	C0-Medium
Number of Bearings	1 (Single)
Inch - Metric	Metric
Long Description	60MM Bore; 110MM Outside Diameter; 45MM Width; 2 Metal Shields; No Flush Ground; Ball Bearing; Double Row of Balls; ABEC 1 ISO P0; No Filling Slot; No Snap Ring; C0-Medium; Plastic Cage; 60 Degree;
Other Features	With Fixing Holes
Category	Angular Contact Ball Bearing
UNSPSC	31171531
Harmonized Tariff Code	8482.10.50.28
Noun	Bearing
Keyword String	Angular Contact
Manufacturer URL	http://www.ina.com
Weight / LBS	4.85016
Width	1.772 Inch 45 Millimeter
Bore	2.362 Inch 60 Millimeter
Outside Diameter	4.331 Inch 110 Millimeter