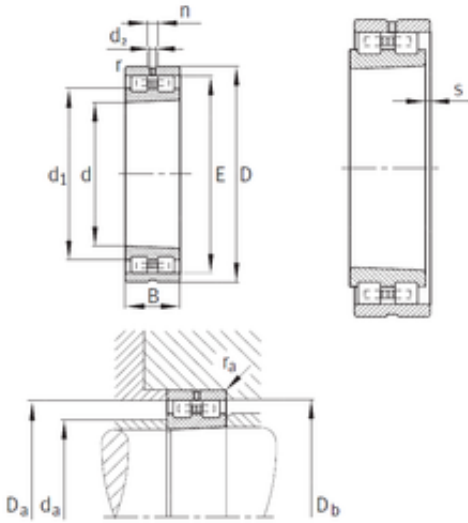




Shandong Chik Bearing Co., Ltd.



300 mm x 460 mm x 118 mm 300 mm x 460 mm
x 118 mm INA NN3060-AS-K-M-SP cylindrical
roller bearings

Bearing No. NN3060-AS-K-M-SP

NN3060-AS-K-M-SP Bearing 2D drawings and 3D
CAD models

Size	300x460x118 mm
Bore Diameter	300 mm
Outer Diameter	460 mm
Width	118 mm
d	300 mm
D	460 mm
E	418 mm
B	118 mm
C	118 mm
n	17,7 mm
d1	360,4 mm
d2	9,5 mm
r min.	4 mm
da min.	315 mm
Da max.	445 mm
Db min.	422 mm
ra max.	3 mm
S	7,5 mm
Weight	68,8 Kg
Basic dynamic load rating (C)	1270 kN
Basic static load rating (C0)	2400 kN
(Grease) Lubrication Speed	1 600 r/min
(Oil) Lubrication Speed	1 900 r/min