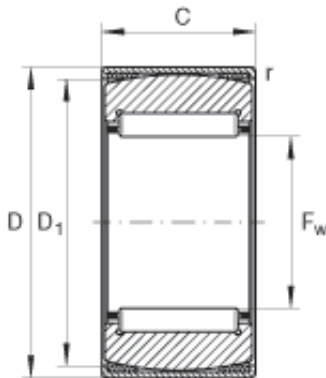




Shandong Chik Bearing Co., Ltd.

INA RPNA25/42 needle roller bearings



Bearing No. RPNA25/42

Size	25x42x20 mm
Bore Diameter	25 mm
Outer Diameter	42 mm
Width	20 mm
F_w	25 mm
D	42 mm
C - 20 mm / Tolerance: +/-0,5	20 mm / Tolerance: +/-0,5
D_1	36,5 mm
r_{min}	0,8 mm
m	109 g / Weight
C_r	21300 N / Dynamic load rating (radial)
C_{0r}	30500 N / Static load rating (radial)
C_{ur}	5300 N / Fatigue limit load, radial
n_G	17800 1/min / Limiting speed
Category	Needle Self Aligning Roller Bearings
Inventory	0.0
Manufacturer Name	SCHAEFFLER GROUP
Minimum Buy Quantity	N/A
Weight / Kilogram	0
Product Group	B04144
Rolling Element	Needle Roller Bearing
Component	Roller Assembly with Outer

RPNA25/42 Bearing 2D drawings and 3D CAD models



Shandong Chik Bearing Co., Ltd.

	Ring - No Inner Ring
Enclosure	Open
Self Aligning	Yes
Retainer	Yes
Number of Rows of Rollers	Single Row
Separable	No
Inch - Metric	Metric
Relubricatable	No
Thrust Bearing	No
Long Description	25MM Bore; 42MM Outside Diameter; 20MM Width; Needle Roller Bearing; Roller Assembly with Outer Ring - No Inner Ring; Open Enclosure; Self Aligning; Retainer; Single Row of Rollers; Not Separable; Not
Other Features	2 Rib Outer Ring Steel Cage Self Contained Aligning Adaptor
Category	Needle Self Aligning Roller Bearing
UNSPSC	31171512
Harmonized Tariff Code	8482.40.00.00
Noun	Bearing
Keyword String	Needle
Manufacturer URL	http://www.ina.com
Manufacturer Item Number	RPNA25/42
Weight / LBS	0.24
Width	0.787 Inch 20 Millimeter
Outside Diameter	1.654 Inch 42 Millimeter
Bore	0.984 Inch 25 Millimeter