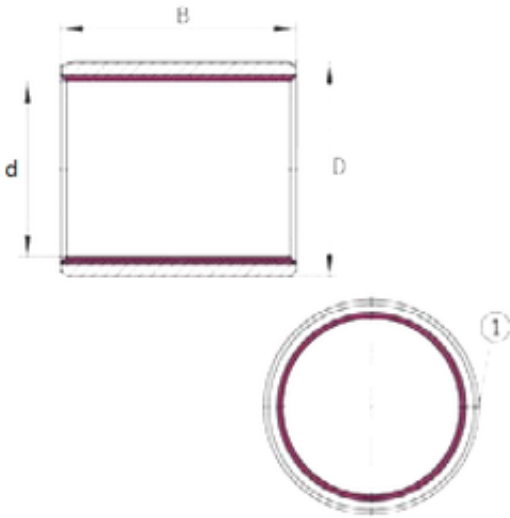




Shandong Chik Bearing Co., Ltd.



38,1 mm x 42,069 mm x 12,7 mm 38,1 mm x 42,069 mm x 12,7 mm INA EGBZ2408-E40 plain bearings

Bearing No. EGBZ2408-E40

EGBZ2408-E40 Bearing 2D drawings and 3D CAD models

Size	38.1x42.069x12.7 mm
Bore Diameter	38,1 mm
Outer Diameter	42,069 mm
Width	12,7 mm
d	38,1 mm
D	42,069 mm
B	12,7 mm
Category	Sleeve Bearings
Inventory	0.0
Manufacturer Name	SCHAEFFLER GROUP
Minimum Buy Quantity	N/A
Weight / Kilogram	0.029
Product Group	B04264
Profile	Bushing No Flange Split
Material Description	Steel Backing, Bronze Innerstructure, PTFE-lead Overlay
Material	Permaglide P10
Inch - Metric	Inch
Long Description	1-1/2" Nominal Bore; 1-21/32" Nominal Outside Diameter; 1/2" Length Thru Bore; Bushing No Flange Split Profile; Steel Backing, Bronze Innerstructure, PTFE-lead Overlay; Permaglide P10 M



Shandong Chik Bearing Co., Ltd.

Category	Sleeve Bearings
UNSPSC	31171515
Harmonized Tariff Code	84833080
Noun	Bearing
Keyword String	Plain
Manufacturer URL	http://www.ina.com
Manufacturer Item Number	PAPZ2408P10
Weight / LBS	0.065
Nominal Bore	1.5 Inch 38.1 Millimeter
Length Thru Bore	0.5 Inch 12.7 Millimeter
Nominal Outside Diameter	1.656 Inch 42.062 Millimeter