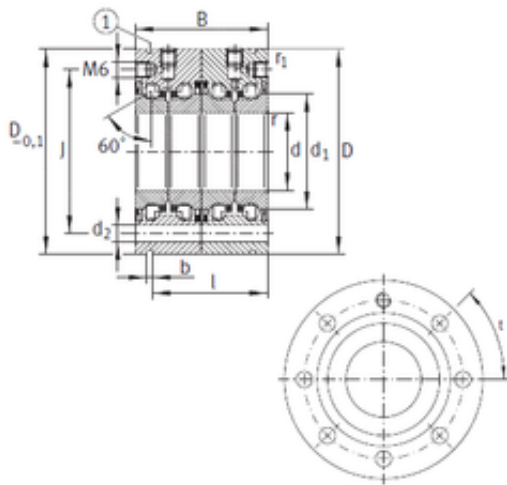




Shandong Chik Bearing Co., Ltd.



50 mm x 115 mm x 68 mm 50 mm x 115 mm x 68 mm INA ZKLF50115-2RS-2AP thrust ball bearings

Bearing No. ZKLF50115-2RS-2AP

ZKLF50115-2RS-2AP Bearing 2D drawings and 3D CAD models

Size	50x115x68 mm
Bore Diameter	50 mm
Outer Diameter	115 mm
Width	68 mm
d	50 mm
D	115 mm
B	68 mm
C	68 mm
Screw	12X30 °
l	3 mm
Angle (?)	60 °
b	59 mm
d1	72 mm
d2	8,8 mm
r min.	0,3 mm
r1 min.	0,6 mm
J	94 mm
Bolt (G)	M8X80
Weight	3,72 Kg
Basic dynamic load rating (C)	76 kN
Basic static load rating (C0)	250 kN
Category	Angular Contact Ball Bearings
Inventory	0.0



Shandong Chik Bearing Co., Ltd.

Manufacturer Name	SCHAEFFLER GROUP
Minimum Buy Quantity	N/A
Weight / Kilogram	4.455
Product Group	B00152
Enclosure	2 Seals
Flush Ground	No
Rolling Element	Ball Bearing
Number of Rows of Balls	Double Row
Precision Class	ABEC 1 ISO P0
Maximum Capacity / Filling Slot	No
Snap Ring	Yes
Cage Material	Plastic
Contact Angle	60 Degree
Internal Clearance	C0-Medium
Number of Bearings	2 (1 Pair)
Mounting Arrangement	Duplex-Face to Face
Inch - Metric	Metric
Long Description	50MM Bore; 115MM Outside Diameter; 68MM Width; 2 Seals; No Flush Ground; Ball Bearing; Double Row of Balls; ABEC 1 ISO P0; No Filling Slot; Yes Snap Ring; C0-Medium; Plastic Cage; 60 Degree; 2 (1 Pa
Other Features	With Fixing Holes With Snap Ring Groove Matched Pair Bearing
Category	Angular Contact Ball Bearing
UNSPSC	31171531
Harmonized Tariff Code	8482.10.50.28
Noun	Bearing
Keyword String	Angular Contact



Shandong Chik Bearing Co., Ltd.

Manufacturer URL	http://www.ina.com
Weight / LBS	4.10059
Bore	1.969 Inch 50 Millimeter
Outside Diameter	4.528 Inch 115 Millimeter
Width	2.677 Inch 68 Millimeter