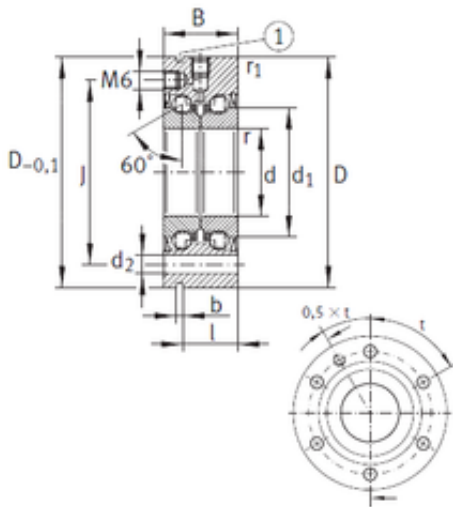




Shandong Chik Bearing Co., Ltd.



20 mm x 68 mm x 28 mm 20 mm x 68 mm x 28 mm INA ZKLF2068-2RS thrust ball bearings

Bearing No. ZKLF2068-2RS

ZKLF2068-2RS Bearing 2D drawings and 3D CAD models

Size	20x68x28 mm
Bore Diameter	20 mm
Outer Diameter	68 mm
Width	28 mm
d	20 mm
D	68 mm
B	28 mm
C	28 mm
Screw	4
l	19 mm
Angle (?)	60 °
b	3 mm
d1	34,5 mm
d2	6,8 mm
r min.	0,3 mm
r1 min.	0,6 mm
J	53 mm
Bolt (G)	M6
Weight	0,61 Kg
Basic dynamic load rating (C)	26 kN
Basic static load rating (C0)	47 kN