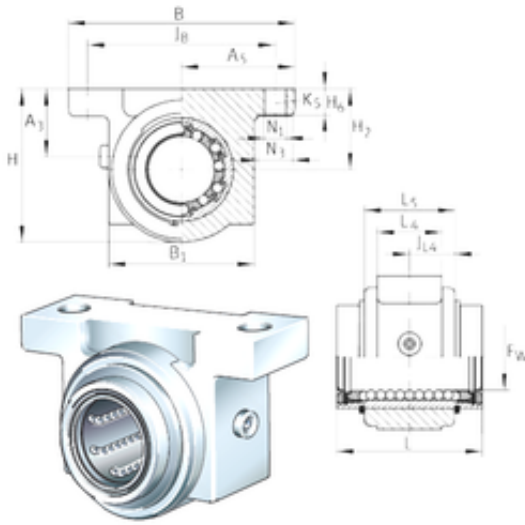




Shandong Chik Bearing Co., Ltd.

INA KGB25-PP-AS bearing units

Bearing No. KGB25-PP-AS



KGB25-PP-AS Bearing 2D drawings and 3D CAD models

Bore Diameter	25 mm
Fw	25 mm
B	80 mm
H6	10 mm
A5	40 mm
L4	28 mm
L5	40 mm
N3	11 mm
B1	55 mm
H	57,5 mm
H2	30 mm
N1	6,6 mm
A3	23 mm
L	58 mm
JB	68 mm
Thread (K5)	M6
JL4	20 mm
Weight	0,58 Kg
Basic dynamic load rating (C)	2,8 kN