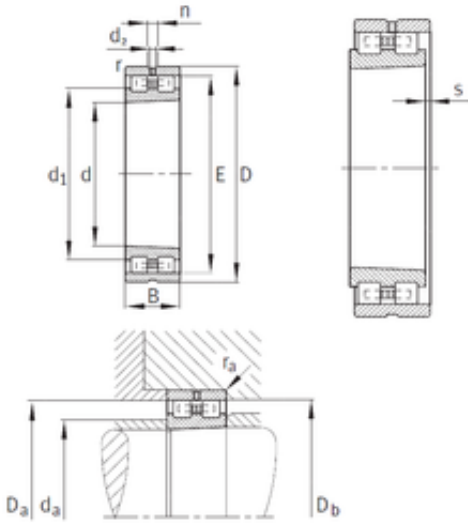




# Shandong Chik Bearing Co., Ltd.



260 mm x 400 mm x 104 mm INA NN3052-AS-K-M-SP cylindrical roller bearings

Bearing No. NN3052-AS-K-M-SP

Size	260x400x104 mm
Bore Diameter	260 mm
Outer Diameter	400 mm
Width	104 mm
d	260 mm
D	400 mm
E	364 mm
B	104 mm
C	104 mm
n	15 mm
d1	312,8 mm
d2	8 mm
r min.	4 mm
da min.	275 mm
Da max.	385 mm
Db min.	368 mm
ra max.	3 mm
S	6,5 mm
Weight	46,2 Kg
Basic dynamic load rating (C)	1060 kN
Basic static load rating (C0)	2000 kN
(Grease) Lubrication Speed	1 900 r/min
(Oil) Lubrication Speed	2 400 r/min

NN3052-AS-K-M-SP Bearing 2D drawings and 3D CAD models