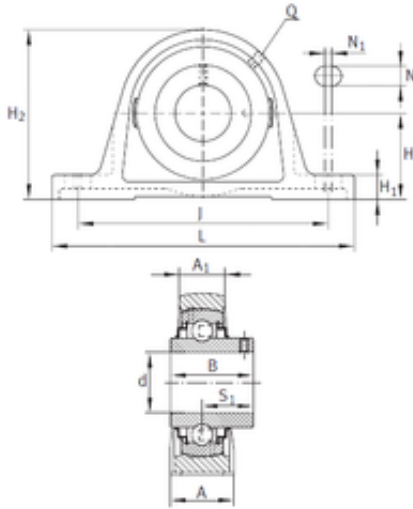




Shandong Chik Bearing Co., Ltd.



INA RAKY1-3/4 bearing units

Bearing No. RAKY1-3/4

| | |
|---------------------------|-----------------------|
| Bore Diameter | 44,45 mm |
| d | 44,45 mm |
| S1 | 30,201 mm |
| Thread (Q) | 1/8 NPT |
| A | 51,512 mm |
| A1 | 35,002 mm |
| B | 49,2 mm |
| H | 52,401 mm |
| H1 | 20,397 mm |
| H2 | 105,41 mm |
| J | 148,489 mm |
| L | 194,996 mm |
| N | 14,301 mm |
| N1 | 11,989 mm |
| Category | Pillow Block Bearings |
| Inventory | 0.0 |
| Manufacturer Name | SCHAEFFLER GROUP |
| Minimum Buy Quantity | N/A |
| Weight / Kilogram | 2.4 |
| Product Group | M06110 |
| Number of Mounting Holes | 2 |
| Mounting Method | Eccentric Collar |
| Housing Style | 2 Bolt Pillow Block |
| Rolling Element | Ball Bearing |
| Housing Material | Cast Iron |
| Expansion / Non-expansion | Non-expansion |
| | |

RAKY1-3/4 Bearing 2D drawings and 3D CAD models



Shandong Chik Bearing Co., Ltd.

| | |
|-------------------------------|--------------------------------------------------------------------------------------------------------------------------------------------------------------------------------------|
| Relubricatable | Yes |
| Insert Part Number | GY1112KRRB |
| Seals | Double Land Riding Rubber Contact |
| Housing Configuration | 1 Piece Solid |
| Inch - Metric | Inch |
| Other Features | Single Row Low Base With Set Screw |
| Long Description | 2 Bolt Pillow Block; 1-3/4" Bore; 2-1/16" Base to Center Height; Eccentric Collar Mount; Ball Bearing; 5-3/8" Minimum Bolt Spacing; 6.319" Bolt Spacing Maximum; Relubricatable; Cas |
| Category | Pillow Block |
| UNSPSC | 31171511 |
| Harmonized Tariff Code | 8483.20.40.40 |
| Noun | Bearing |
| Keyword String | Pillow Block |
| Manufacturer URL | http://www.ina.com |
| Manufacturer Item Number | RAKY1-3/4 |
| Weight / LBS | 5.292 |
| Actual Bolt Center to Center | 0 Inch 0Millimeter |
| Nominal Bolt Center to Center | 5.8 Inch 146.5 Millimeter |
| Length Thru Bore | 1.937 Inch 49.2 Millimeter |
| Bolt Spacing Maximum | 6.319 Inch 160.5Millimeter |
| Bore | 1.75 Inch 44.45 Millimeter |
| Base to Center Height | 2.063 Inch 52.4 Millimeter |
| Bolt Spacing Minimum | 5.374 Inch 136.5Millimeter |