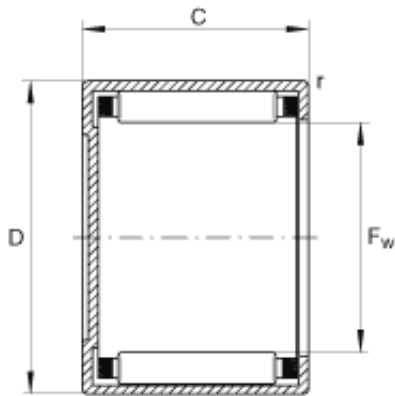




Shandong Chik Bearing Co., Ltd.

INA BCE912 needle roller bearings



Bearing No. BCE912

Size	14.288x19.05x19.05 mm
Bore Diameter	14,288 mm
Outer Diameter	19,05 mm
Width	19,05 mm
F_w	9/16 inch
F_w	14,288 mm
D	0,75 inch
D	19,05 mm
C	0,75 inch
C	19,05 mm
m	0,026 lbs / Weight
m	12 g / Weight
C_r	2410 lbf / Dynamic load rating (radial)
C_r	10700 N / Dynamic load rating (radial)
C_{Or}	3700 lbf / Static load rating (radial)
C_{Or}	16400 N / Static load rating (radial)
n_G	17600 1/min / Limiting speed

BCE912 Bearing 2D drawings and 3D CAD models