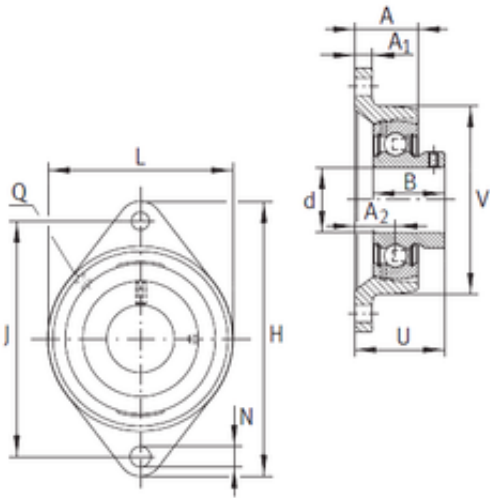




Shandong Chik Bearing Co., Ltd.

INA PCJTY60-N bearing units

Bearing No. PCJTY60-N



PCJTY60-N Bearing 2D drawings and 3D CAD models

Bore Diameter	60 mm
d	60 mm
V	138 mm
U	68 mm
Thread (Q)	Rp1/8
A	46 mm
A1	16 mm
B	47 mm
H	238 mm
J	202 mm
L	138 mm
N	18 mm
A2	34 mm
Weight	2,92 Kg
Basic dynamic load rating (C)	52 kN
Category	Flange Block Bearings
Inventory	0.0
Manufacturer Name	SCHAEFFLER GROUP
Minimum Buy Quantity	N/A
Weight / Kilogram	3.497
EAN	4012802802221
Product Group	M06110
Number of Mounting Holes	2
Mounting Method	Set Screw
Housing Style	2 Bolt Flange Block
Rolling Element	Ball Bearing



Shandong Chik Bearing Co., Ltd.

Housing Material	Cast Iron
Expansion / Non-expansion	Non-expansion
Mounting Bolts	18 Millimeter
Relubricatable	Yes
Insert Part Number	GAY60NPPB
Seals	Double Lip Contact
Housing Configuration	1 Piece Solid
Pilot Configuration	No Pilot
Inch - Metric	Metric
Long Description	2 Bolt Flange Block; 60MM Bore; 202MM Bolt Circle; 202MM Bolt Spacing; 1 Piece Solid; Set Screw Mount; Cast Iron; Ball Bearing; 47MM Length Thru Bore; Relubricatable; Double Lip Contact Seal
Other Features	Single Row Radial Metric With Grub Screw
Category	Flange Block
UNSPSC	31171501
Harmonized Tariff Code	8483.20.40.40
Noun	Bearing
Keyword String	Flanged
Manufacturer URL	http://www.ina.com
Manufacturer Item Number	PCJTY60
Weight / LBS	6.438
Nominal Bolt Circle Diameter Round	8 Inch 202 Millimeter
Bore	2.362 Inch 60 Millimeter
Length Thru Bore	1.85 Inch 47 Millimeter
Bolt Spacing	7.953 Inch 202 Millimeter
Cartridge Pilot Diameter	0 Inch 0 Millimeter