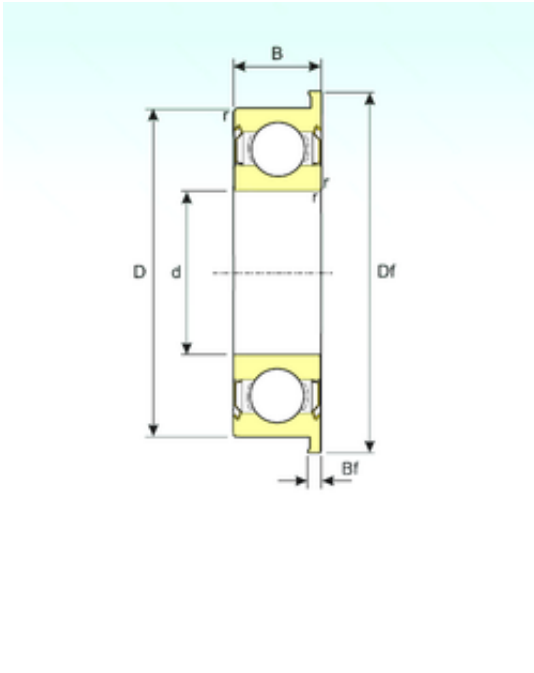




Shandong Chik Bearing Co., Ltd.



FR1-5ZZ Bearing 2D drawings and 3D CAD models

2,38 mm x 7,938 mm x 3,571 mm ISB FR1-5ZZ
deep groove ball bearings

Bearing No. FR1-5ZZ

Size	2.38x7.938x3.571 mm
Bore Diameter	2,38 mm
Outer Diameter	7,938 mm
Width	3,571 mm
d	2,38 mm
D	7,938 mm
B	3,571 mm
C	3,571 mm
Bf	0,787 mm
Df	9,119 mm
r min.	0,15 mm
Basic dynamic load rating (C)	0,43 kN