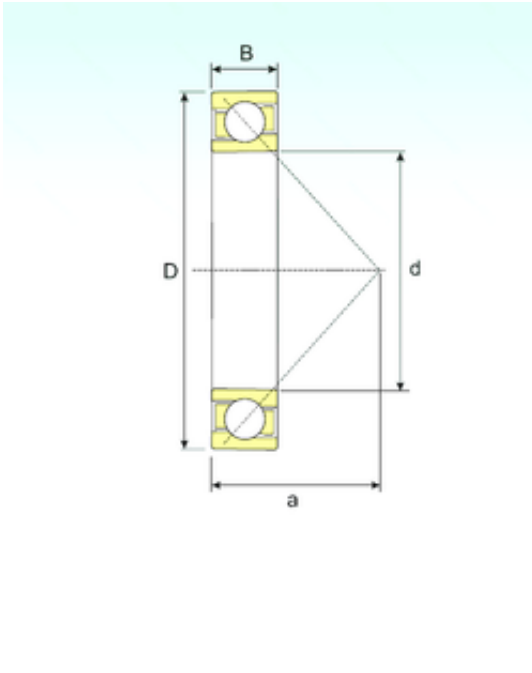




## Shandong Chik Bearing Co., Ltd.



7248 B Bearing 2D drawings and 3D CAD models

240 mm x 440 mm x 72 mm ISB 7248 B angular contact ball bearings

Bearing No. 7248 B

Size	240x440x72 mm
Bore Diameter	240 mm
Outer Diameter	440 mm
Width	72 mm
d	240 mm
D	440 mm
B	72 mm
C	72 mm
a	180 mm
Weight	50 Kg
Basic dynamic load rating (C)	365 kN
Basic static load rating (C0)	415 kN
(Grease) Lubrication Speed	1100 r/min