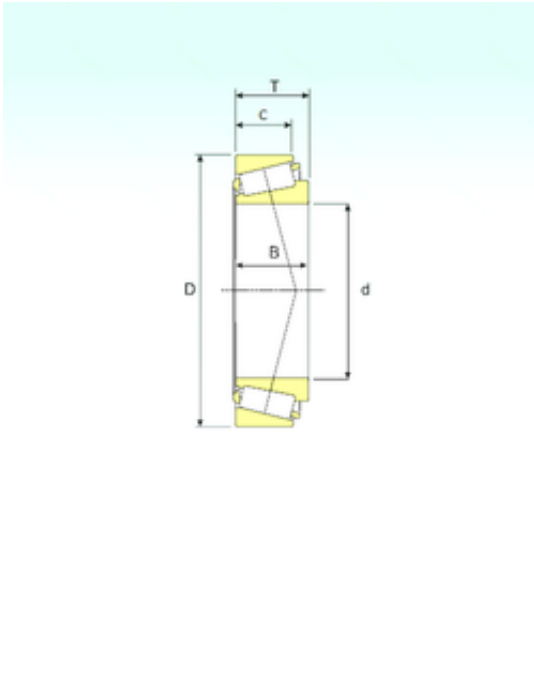




Shandong Chik Bearing Co., Ltd.



30218 Bearing 2D drawings and 3D CAD models

90 mm x 160 mm x 30 mm ISB 30218 tapered roller bearings

Bearing No. 30218

Size	90x160x32.5 mm
Bore Diameter	90 mm
Outer Diameter	160 mm
Width	32,5 mm
d	90 mm
D	160 mm
T	32,5 mm
B	30 mm
C	26 mm
Weight	2,55 Kg
Basic dynamic load rating (C)	190 kN
Basic static load rating (C0)	240 kN
(Grease) Lubrication Speed	3060 r/min