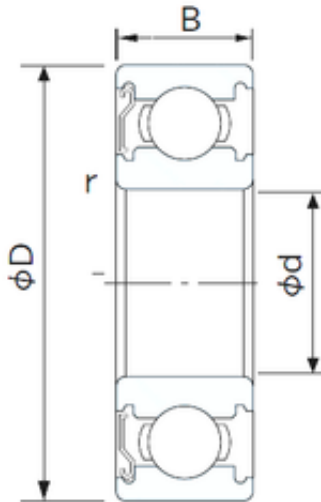




## Shandong Chik Bearing Co., Ltd.



140 mm x 250 mm x 42 mm NACHI 6228Z  
deep groove ball bearings

Bearing No. 6228Z

Size	140x250x42 mm
Bore Diameter	140 mm
Outer Diameter	250 mm
Width	42 mm
d	140 mm
D	250 mm
B	42 mm
C	42 mm
r min.	3 mm
da min.	154 mm
Da max.	236 mm
ra max.	2.5 mm
Weight	7.47 Kg
Basic dynamic load rating (C)	166 kN
Basic static load rating (C0)	150 kN
(Grease) Lubrication Speed	2400 r/min

6228Z Bearing 2D drawings and 3D CAD models