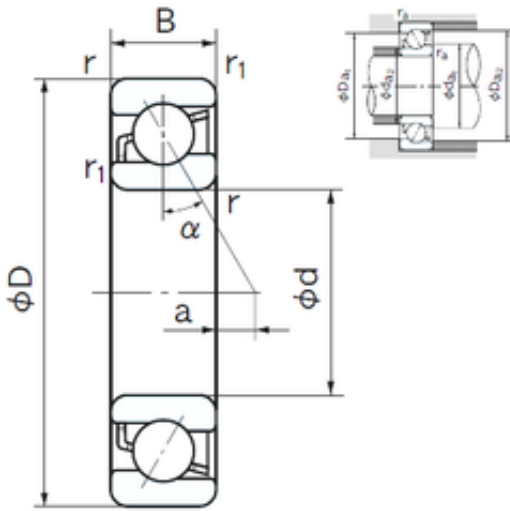




Shandong Chik Bearing Co., Ltd.



7210B Bearing 2D drawings and 3D CAD models

50 mm x 90 mm x 20 mm NACHI 7210B angular contact ball bearings

Bearing No. 7210B

Size	50x90x20 mm
Bore Diameter	50 mm
Outer Diameter	90 mm
Width	20 mm
d	50 mm
D	90 mm
B	20 mm
C	20 mm
Angle (°)	40 °
a	19.4 mm
r min.	1.1 mm
r1 min.	0.6 mm
da min.	57 mm
Da max.	83 mm
ra max.	1 mm
Weight	0.485 Kg
Basic dynamic load rating (C)	38,5 kN
Basic static load rating (C0)	29,6 kN
(Grease) Lubrication Speed	5600 r/min
Category	Angular Contact Ball Bearings
Inventory	0.0
Manufacturer Name	NACHI
Minimum Buy Quantity	N/A
Weight / Kilogram	0.486



Shandong Chik Bearing Co., Ltd.

Product Group	B00308
Enclosure	Open
Flush Ground	No
Rolling Element	Ball Bearing
Number of Rows of Balls	Single Row
Precision Class	ABEC 1 ISO P0
Maximum Capacity / Filling Slot	No
Snap Ring	No
Cage Material	Steel
Contact Angle	40 Degree
Internal Clearance	C0-Medium
Number of Bearings	1 (Single)
Inch - Metric	Metric
Long Description	50MM Bore; 90MM Outside Diameter; 20MM Width; Open; No Flush Ground; Ball Bearing; Single Row of Balls; ABEC 1 ISO P0; No Filling Slot; No Snap Ring
Category	Angular Contact Ball Bearing
UNSPSC	31171531
Harmonized Tariff Code	8482.10.50.28
Noun	Bearing
Keyword String	Angular Contact
Manufacturer URL	http://www.nachi.com
Manufacturer Item Number	7210 B BNLS
Weight / LBS	1.07
Outside Diameter	3.543 Inch 90 Millimeter
Width	0.787 Inch 20 Millimeter
Bore	1.969 Inch 50 Millimeter
Configuration	Single Row
Bore Type	Cylindrical Bore



Shandong Chik Bearing Co., Ltd.

Bore Size	50 mm
Fillet Radius/Chamfer	1.1 mm
r1	0.6 mm
Dynamic Load Rating	38,500 N
Static Load Rating	29,600 N
Limiting Speed - Grease	5,600 rpm
Limiting Speed - Oil	7,500 rpm
da1 (min)	57 mm
da2 (min)	55 mm
Da1 (max)	83 mm
Da2 (max)	85 mm
ra (max)	1 mm
ra1 (max)	0.6 mm