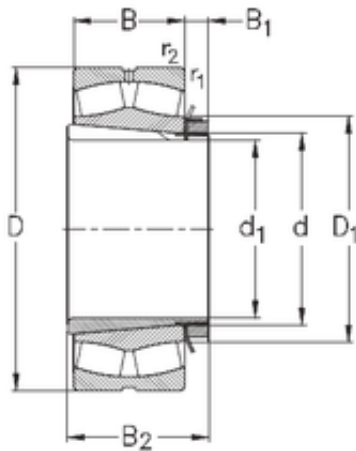




Shandong Chik Bearing Co., Ltd.

160 mm x 290 mm x 80 mm NKE 22232-E-K-W33+H3132 spherical roller bearings



Bearing No. 22232-E-K-W33+H3132

22232-E-K-W33+H3132 Bearing 2D drawings and 3D CAD models

Size	160x290x80 mm
Bore Diameter	160 mm
Outer Diameter	290 mm
Width	80 mm
d	160 mm
d1	140 mm
D	290 mm
B	80 mm
C	80 mm
r1 min.	3 mm
r2 min.	3 mm
B1	28 mm
B2	119 mm
D1	210 mm
Weight	28,95 Kg
Basic dynamic load rating (C)	978 kN
Basic static load rating (C0)	1440 kN
Limiting speed	2800 r/min
Calculation factor (e)	0,26
Calculation factor (Y0)	2,5
Calculation factor (Y1)	2,6