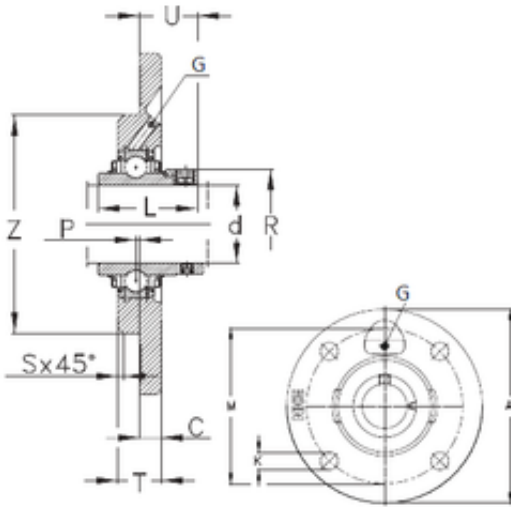




Shandong Chik Bearing Co., Ltd.

NKE RME50 – N bearing units

Bearing No. RME50 – N



RME50 – N Bearing 2D drawings and 3D CAD models

Bore Diameter	50 mm
d	50 mm
P	1 mm
U	37,1 mm
K	14 mm
Z	110 mm
A	165 mm
C	13 mm
L	62,7 mm
M	135 mm
R	69 mm
S	3 mm
T	25 mm
Thread (G)	R1/8 “