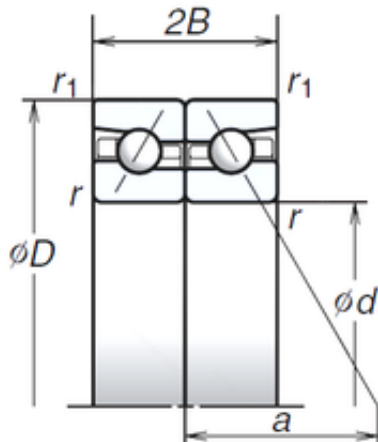




## Shandong Chik Bearing Co., Ltd.

85 mm x 130 mm x 20,25 mm NSK 85BAR10S  
angular contact ball bearings



Bearing No. 85BAR10S

Size	85x130x20.25 mm
Bore Diameter	85 mm
Outer Diameter	130 mm
Width	20,25 mm
d	85 mm
D	130 mm
B	20,25 mm
C	20,25 mm
Angle ( ° )	30 °
a	41,1 mm
r min.	1,1 mm
r1 min.	0,6 mm
2B	40,5 mm
Weight	0,971 Kg
Basic dynamic load rating (C)	32,5 kN
Basic static load rating (C0)	71,5 kN
(Grease) Lubrication Speed	7 000 r/min
(Oil) Lubrication Speed	8 900 r/min

85BAR10S Bearing 2D drawings and 3D CAD models