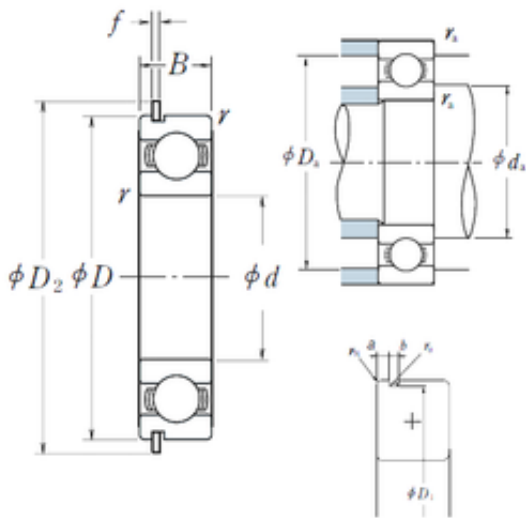




## Shandong Chik Bearing Co., Ltd.



90 mm x 160 mm x 30 mm NSK 6218NR deep groove ball bearings

Bearing No. 6218NR

Size	90x160x30 mm
Bore Diameter	90 mm
Outer Diameter	160 mm
Width	30 mm
d	90 mm
D	160 mm
B	30 mm
C	30 mm
rn	0,5 mm
a	4,9 mm
b	3,1 mm
f	2,82 mm
r min.	2 mm
r0 max.	0,6 mm
D1	155,22 mm
D2	169,7 mm
da min.	99 mm
da max	107,5 mm
Da max.	151 mm
ra max.	2 mm
Weight	2,18 Kg
Basic dynamic load rating (C)	96 kN
Basic static load rating (C0)	71,5 kN
(Grease) Lubrication Speed	4 000 r/min
(Oil) Lubrication Speed	4 800 r/min

6218NR Bearing 2D drawings and 3D CAD models



## Shandong Chik Bearing Co., Ltd.

Category	Single Row Ball Bearings
Inventory	0.0
Manufacturer Name	NSK
Minimum Buy Quantity	N/A
Weight / Kilogram	2.296
EAN	0029176064869
Product Group	B00308
Enclosure	Open
Precision Class	ABEC 1   ISO P0
Maximum Capacity / Filling Slot	No
Rolling Element	Ball Bearing
Snap Ring	Yes
Internal Special Features	No
Cage Material	Steel
Internal Clearance	C0-Medium
Inch - Metric	Metric
Long Description	90MM Bore; 160MM Outside Diameter; 30MM Outer Race Diameter; Open; Ball Bearing; ABEC 1   ISO P0; No Filling Slot; Yes Snap Ring; No Internal Special Features
Category	Single Row Ball Bearing
UNSPSC	31171504
Harmonized Tariff Code	8482.10.50.68
Noun	Bearing
Keyword String	Ball
Manufacturer URL	<a href="http://www.nskamericas.com">http://www.nskamericas.com</a>
Outer Race Width	1.181 Inch   30 Millimeter
Bore	3.543 Inch   90 Millimeter
Outside Diameter	6.299 Inch   160 Millimeter
SRI	11.5



## Shandong Chik Bearing Co., Ltd.

hidYobi	6218NR
LangID	1
ro	0.6
D_	160
SREX	0.04
B_	30
da min	99
hidTable	ecat_NSRDGB
Oil rpm	4800
SRE	11.5
Cy	7.3
mass	2.18
GRS rpm	4000
ra	2
SRIX	0.04
D_a	151
SRIN	-0.04
C0	71.5
fo	14.5
SREN	-0.04
DE_	147.225
Prod_Type3	DGBB_SR_NR_OT
DA_	22.225
bomp	0
Z_	10
yobi	6218NR
Dx	172
C_conv	96000
ALPHA_	0
SDM_	125
r	2
KBRG	6101



## Shandong Chik Bearing Co., Ltd.

SBRG	2
DI_	102.775