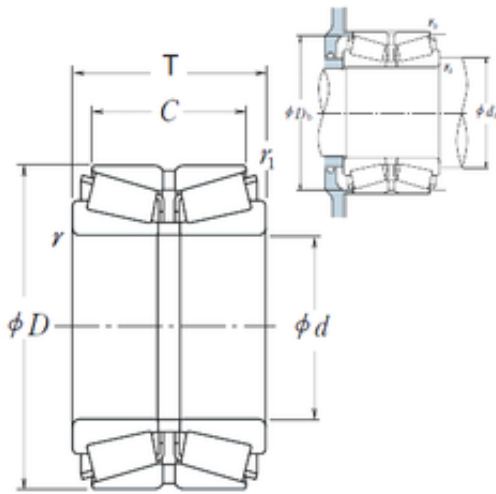




Shandong Chik Bearing Co., Ltd.

NSK HR130KBE42+L tapered roller bearings



Bearing No. HR130KBE42+L

HR130KBE42+L Bearing 2D drawings and 3D CAD models

| | |
|-------------------------------|---------------|
| Size | 130x230x98 mm |
| Bore Diameter | 130 mm |
| Outer Diameter | 230 mm |
| Width | 98 mm |
| d | 130 mm |
| D | 230 mm |
| T | 98 mm |
| C | 78,5 mm |
| r min. | 4 mm |
| r1 min. | 1 mm |
| da min. | 151 mm |
| Db min. | 220 mm |
| ra max. | 3 mm |
| rb max. | 1 mm |
| Weight | 15,8 Kg |
| Basic dynamic load rating (C) | 640 kN |
| Basic static load rating (C0) | 36,8 kN |
| (Grease) Lubrication Speed | 1200 r/min |
| (Oil) Lubrication Speed | 1600 r/min |
| Calculation factor (e) | 0,44 |
| Calculation factor (Y0) | 1,5 |
| Calculation factor (Y2) | 2,3 |