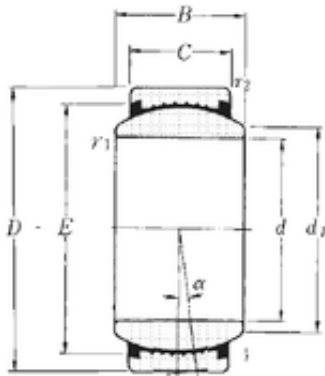




Shandong Chik Bearing Co., Ltd.

45 mm x 68 mm x 32 mm NTN SAR1-45 plain bearings



Bearing No. SAR1-45

Size	45x68x32 mm
Bore Diameter	45 mm
Outer Diameter	68 mm
Width	32 mm
d	45 mm
D	68 mm
B	32 mm
C	25 mm
d1	50,8 mm
r1 min.	0,6 mm
r2 min.	1 mm
E	62,4 mm
Angle	7 °
Weight	0,4 Kg
Category	Bearings
Inventory	0.0
Manufacturer Name	NTN
Minimum Buy Quantity	N/A
Weight / Kilogram	0.384
Product Group	B04264

SAR1-45 Bearing 2D drawings and 3D CAD models